

Y FILTERS



ITEM NO.	DESCRIPTION	CASE QTY
1903-34P	Y Filter 3/4" NPT, with 155 Mesh Poly Screen	50
1903-100P	Y Filter 1" NPT, with 155 Mesh Poly Screen	50
1903S-34P	Y Filter 3/4" NPT, with 155 Mesh Stainless Steel Screen	50
1903S-100P	Y Filter 1" NP, with 155 Mesh Stainless Steel Screen	50
1903V-34P	Y Filter 3/4" NPT, with 155 Mesh Poly Screen & Flush Valve	50
1903V-100P	Y Filter 1" NPT, with 155 Mesh Poly Screen & Flush Valve	50
1903SV-34P	Y Filter 3/4" NPT, with 155 Mesh Stainless Steel Screen & Flush Valve	50
1903SV-100P	Y Filter 1" NPT, with 155 Mesh Stainless Steel Screen & Flush Valve	50
1903-34H	Y Filter 3/4" NHT, with 155 Mesh Poly Screen	50
1903SP-34P	Y Filter 3/4" NPT, with Spin Plate and Stainless Steel Screen	50
1903SP-100P	Y Filter 1" NPT, with Spin Plate and Stainless Steel Screen	50
1903SPV-34P	Y Filter 3/4" NPT, with Spin Plate, Stainless Steel Screen & Flush Valve	50
1903SPV-100P	Y Filter 1" NPT, with Spin Plate, Stainless Steel Screen, & Flush Valve	50



ITEM NO.	DESCRIPTION	CASE QTY.
1903-150P-*	1 1/2" Y-Filter with Stainless Steel Screen, Four Hole Spin-Plate & Flush Valve	2
1903-200P-*	2" L-Filter with Stainless Steel Screen, Four Hole Spin-Plate & Flush Valve	1

* Please indicate screen mesh size, 40, 80 & 150.

IN-LINE FILTERS



ITEM NO.	DESCRIPTION	CASE QTY
9031-C	3/4" FHT x 3/4" MHT, In-Line Filter Housing with Screen - Complete Unit	250
9031-H	3/4" FHT x 3/4" MHT, In-Line Filter - Housing Only	250
9031-RS	Poly Replacement Screen (150 mesh) for In-Line (9031-H) Filter	500
903T-C	3/4" FHT Swivel Tee Filter, Housing and Screen - Complete Unit	200
903T-H	3/4" Swivel Tee Filter - Housing Only	200
903T-RS	Poly Replacement Screen (150 mesh) for 3/4" Tee (903T-H) Filter	500

REPLACEMENT SCREENS FOR 3/4" & 1" Y FILTERS



ITEM NO.	DESCRIPTION	CASE QTY
903-RS	Polyester Replacement Screen (150 mesh) Fits 1903 Series (3/4" & 1") Y Filter	100
903-SS	Stainless Steel Replacement Screen (150 mesh) Fits 1903 Series (3/4" & 1") Y Filter	100
903SS-SP	Stainless Steel Replacement Screen (150 mesh) with Four Hole Spin-Plate Fits 1903 Series (3/4" & 1") Y Filter	100

REPLACEMENT SCREENS FOR 1 1/2" Y & 2" L FILTERS

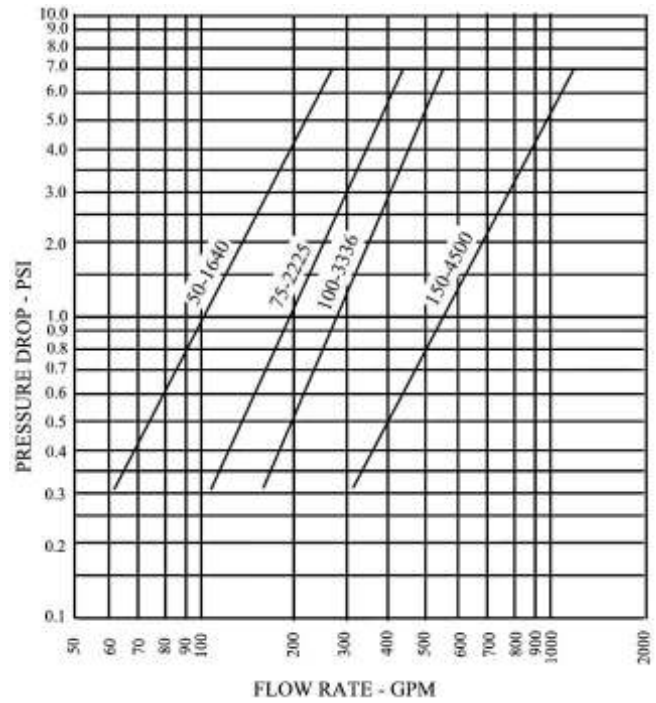


ITEM NO.	DESCRIPTION	QTY
1903-150P-RS-40	Stainless Steel Replacement Screen w/ spin-plate (40 mesh) Fits 1903-150P Series (1 1/2") Y Filter	1
1903-150P-RS-80	Stainless Steel Replacement Screen w/ spin-plate (80 mesh) Fits 1903-150P Series (1 1/2") Y Filter	1
1903-150P-RS-150	Stainless Steel Replacement Screen w/ spin-plate (150 mesh) Fits 1903-150P Series (1 1/2") Y Filter	1



ITEM NO.	DESCRIPTION	QTY
1903-200P-RS-40	Stainless Steel Replacement Screen w/ spin-plate (40 mesh) Fits 1903-200P Series (2") L Filter	1
1903-200P-RS-80	Stainless Steel Replacement Screen w/ spin-plate (80 mesh) Fits 1903-200P Series (2") L Filter	1
1903-200P-RS-150	Stainless Steel Replacement Screen w/ spin-plate (150 mesh) Fits 1903-200P Series (2") L Filter	1

STAINLESS STEEL SCREEN FILTER



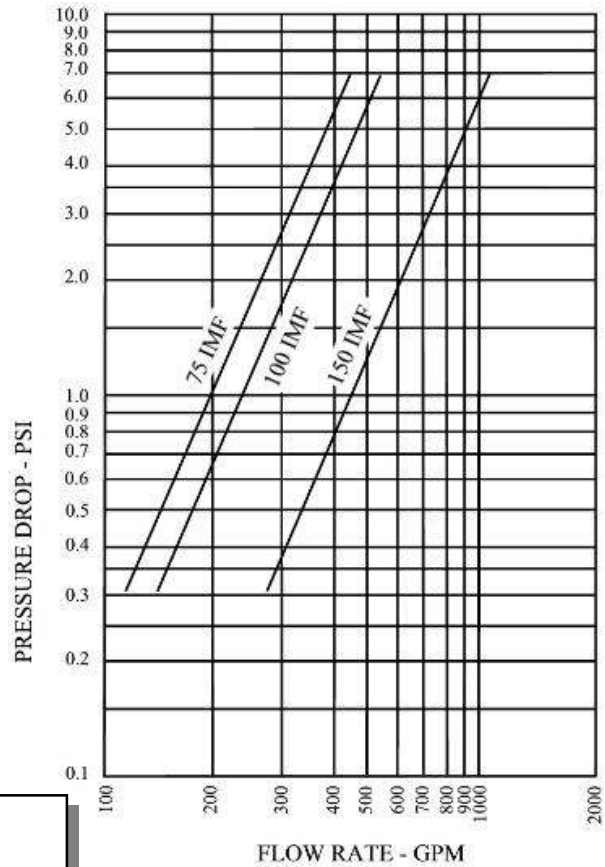
- Made of 304 grade corrosion resistant stainless steel
- Maximum operating pressure: 120 psi
- Easily manifolded for larger capacity filter stations
- ¼ " pressure gauge ports at both inlet and outlet
- Large flushing port
- Easy to disassemble for cleaning

- Available with **40, 80, or 150** Mesh Screens
- Package Includes:
- 2 - Pressure Gauges (PG-1 or PG-2)
 - 1 - PVC Flush Valve & Nipple

* Please Include Desired **Mesh Size** and Pressure Gauge Rating (**0-30 or 0-100**) PSI with Order

ITEM NO.	DESCRIPTION
50-1640-*	2" Stainless Steel Screen Filter - Victolic Ends
75-2225-*	3" Stainless Steel Screen Filter - Victolic Ends
100-3336-*	4" Stainless Steel Screen Filter - Victolic Ends
150-4500-*	6" Stainless Steel Screen Filter - Victolic Ends

INLINE SCREEN FILTER



- Made of Mild Steel with Fused Epoxy Coating for Strength and Durability
- Maximum Operating Pressure: 120 PSI
- Convenient Inline Fitting
- Extra Strong Cartridge
- ¼" Pressure Gauge Ports at Both Inlet and Outlet
- Easy to Disassemble for Cleaning

Available with **40, 80, or 150** Mesh Screens

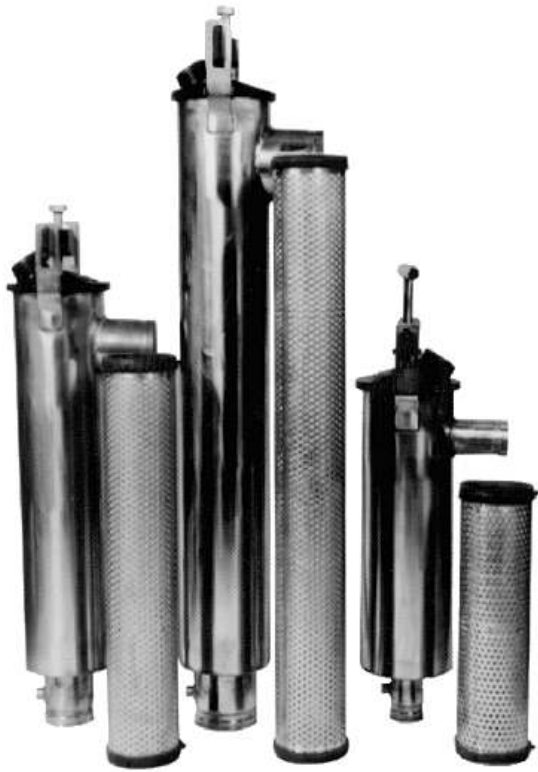
Package Includes:

- 2 - Pressure Gauges (PG-1 or PG-2)
- 1 - PVC Flush Valve & Nipple

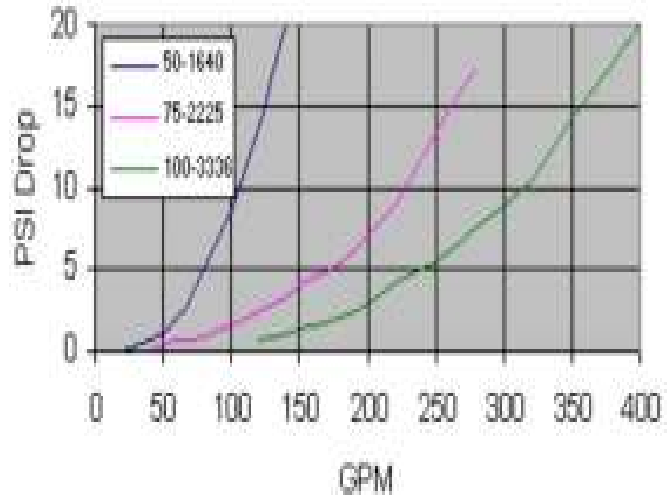
* Please Include Desired **Mesh Size** and Pressure Gauge Rating (**0-30 or 0-100**) PSI with Order

ITEM NO.	DESCRIPTION
75-IMF-*	3" IMF Fusion Epoxy-Coated Screen Filter
100-IMF-*	4" IMF Fusion Epoxy-Coated Screen Filter
150-IMF-*	6" IMF Fusion Epoxy-Coated Screen Filter

STAINLESS STEEL "CYCLONE" FILTER



Stainless Steel Filter - Pressure Loss



Available with **40, 80, or 150** mesh screens

Package includes:

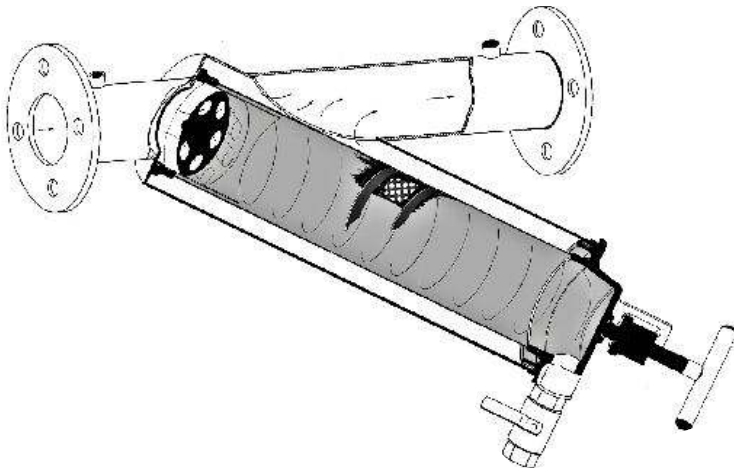
- 2 - Pressure Gauges (PG-1 or PG-2)
- 1 - PVC flush valve & Nipple

- Uses centrifugal motion to keep screen cleaner during filtration
- Cyclone plate made of HDPE-exceptionally resistant to abrasion
- Reduces downtime for back-flushing
- ¼" pressure gauge ports at both inlet and outlet
- Maximum operating pressure: 120 psi
- 304 grade stainless steel construction

* Please include desired **mesh size** and pressure gauge rating (**0-30 or 0-100 PSI**) with order

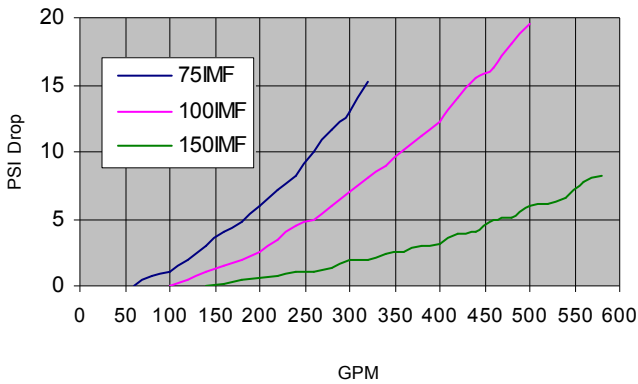
ITEM NO.	DESCRIPTION
SP-50-1640-*	2" Stainless Steel Cyclone Filter - Victolic Ends
SP-75-2225-*	3" Stainless Steel Cyclone Filter - Victolic Ends
SP-100-3336-*	4" Stainless Steel Cyclone Filter - Victolic Ends

INLINE "CYCLONE" FILTER



- Cyclone Plate Made of HDPE- Exceptionally Resistant to Abrasion
- Eliminates Need for Sand Separating Device
- Reduces Downtime for Back-Flushing
- 1/4" Pressure Gauge Ports at Both Inlet and Outlet
- Maximum Operating Pressure: 120 psi
- Mild Steel with Fused Epoxy Coating
- Handles Higher Flow Rates

IMF Filter Pressure Loss



- Available with **40, 80, or 150** Mesh Screens
- Package Includes:
- 2 - Pressure Gauges (PG-1 or PG-2)
 - 1 - PVC Flush Valve & Nipple

* Please Include Desired **Mesh Size** and Pressure Gauge Rating (**0-30 or 0-100 PSI**) with Order

ITEM NO.	DESCRIPTION
SP-75-IMF-*	3" IMF Fusion Epoxy-Coated Cyclone Filter - Victolic Ends
SP-100-IMF-*	4" IMF Fusion Epoxy-Coated Cyclone Filter - Victolic Ends
SP-150-IMF-*	6" IMF Fusion Epoxy-Coated Cyclone Filter - Victolic Ends

FILTER ACCESSORIES

REPLACEMENT SCREENS

ITEM NO.	DESCRIPTION
50-1640-RS-*	2" SS Filter Replacement Screen*
75-2225-RS-*	3" SS Filter Replacement Screen*
100-3336-RS-*	4" SS Filter Replacement Screen*
150-4500-RS-*	6" SS Filter Replacement Screen*
75-IMF-RS-*	3" Inline Mesh Filter Replacement Screen*
100-IMF-RS-*	4" Inline Mesh Filter Replacement Screen*
150-IMF-RS-*	6" Inline Mesh Filter Replacement Screen*

* Please Indicate Screen Mesh Size of **40, 80, or 150**



PRESSURE GAUGES

PG-1	0-30 PSI Pressure Gauge - Liquid Filled
PG-2	0-100 PSI Pressure Gauge - Liquid Filled
PG-3	0-200 PSI Pressure Gauge - Liquid Filled
PG-4TT	0-200 PSI Tattle-Tale Pressure Gauge - Liquid Filled

CYCLONE SPIN-PLATES

TCP-120	120 mm Spin Plate Fits 2" - 6" SS Filters and 3" IMF Filters
TCP-160	160 mm Spin Plate Fits 4" and 6" IMF Filters